

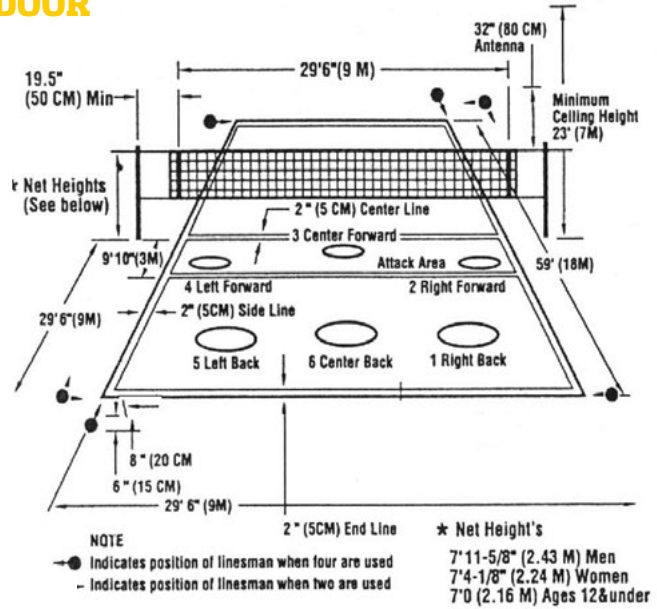
VOLLEYBALL

INDOOR

The following net heights are currently in practice for the below indicated age groups and scholastic levels of competition:

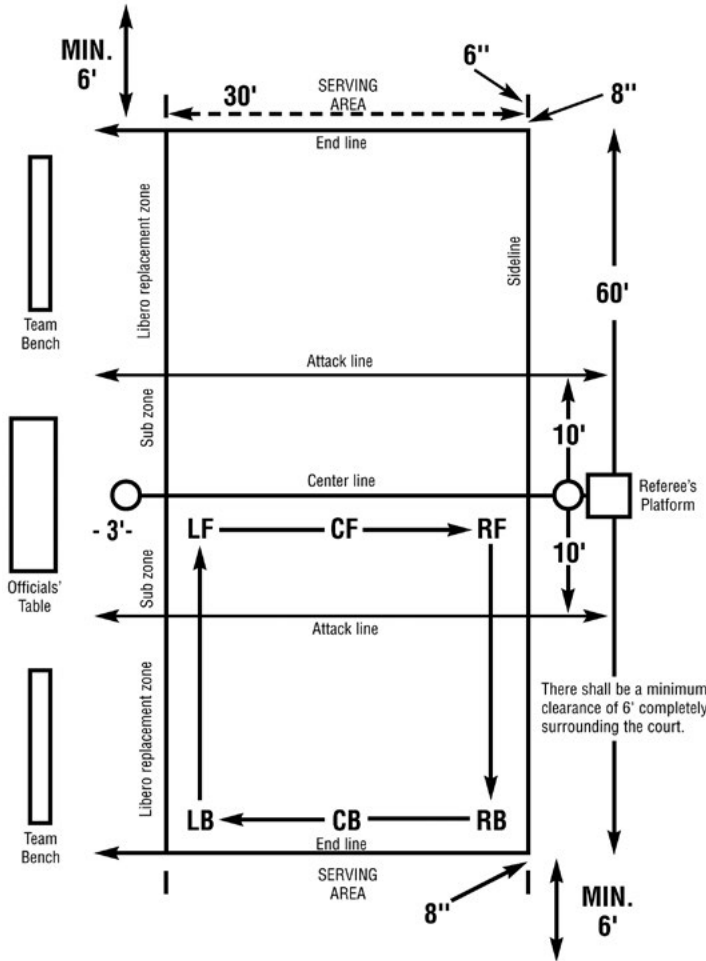
AGE GROUPS	GIRLS	BOYS/COED
18 to 15 years	2.24m (7'4½")	2.43m (7'11½")
14 and 13 years	2.24m (7'4½")	2.24m (7'4½")
12 and 11 years	2.13m (7'0")	2.13m (7'0")
10 years and under	1.98m (6'6")	2.13m (7'0")

SCHOLASTIC LEVELS	GIRLS	BOYS/COED
Grades 1 through 6 (Elementary School):	1.85m (6'1")	1.85m (6'1")
Grades 7 and 8 (Middle School):	2.24m (7'4½")	2.24m (7'4½")
Grades 9 through 12 (High School):	2.24m (7'4½")	2.43m (7'11½")



(Diagram courtesy of USA Volleyball.)

HIGH SCHOOL



(Diagram courtesy of NFHS.)

Note: USA Volleyball and NFHS rules require standards to be 3 feet (1 meter) outside the court. In the interest of safety for age-group and scholastic competition, the height of the net shall be that specified for male competition. This height requirement shall not be modified; USA Volleyball recommends the free-zone distance between side-by-side courts be a minimum of 13 feet (4 meters). Dash marks extending the 3-meter line to off the court are recommended for collegiate level play and above. NCAA rules require a minimum ceiling height of 25 feet for all newly constructed facilities. NFHS rules allow court dimensions to measure 30 feet by 60 feet.

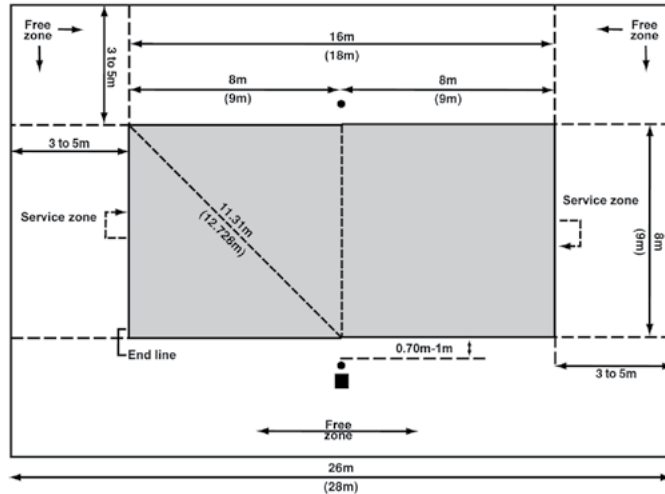
FOR MORE INFORMATION CONTACT:

**National Federation of
State High School Associations**
(317) 972-6900
www.nfhs.org

USA Volleyball
(719) 228-6800
www.usavolleyball.org

VOLLEYBALL

OUTDOOR



(Diagram courtesy of USA Volleyball.)

Note: Dimensions of the standard doubles court shall be 8 by 16 meters. A 9-by-18-meter court shall be used for four-and six-person play.